

**GROVE**

SCHWERLASTSPITZE 2 M-38 T (STAHLBAU)  
HEAVY DUTY JIB 2 M-38 t (STEEL CONSTRUCTION)

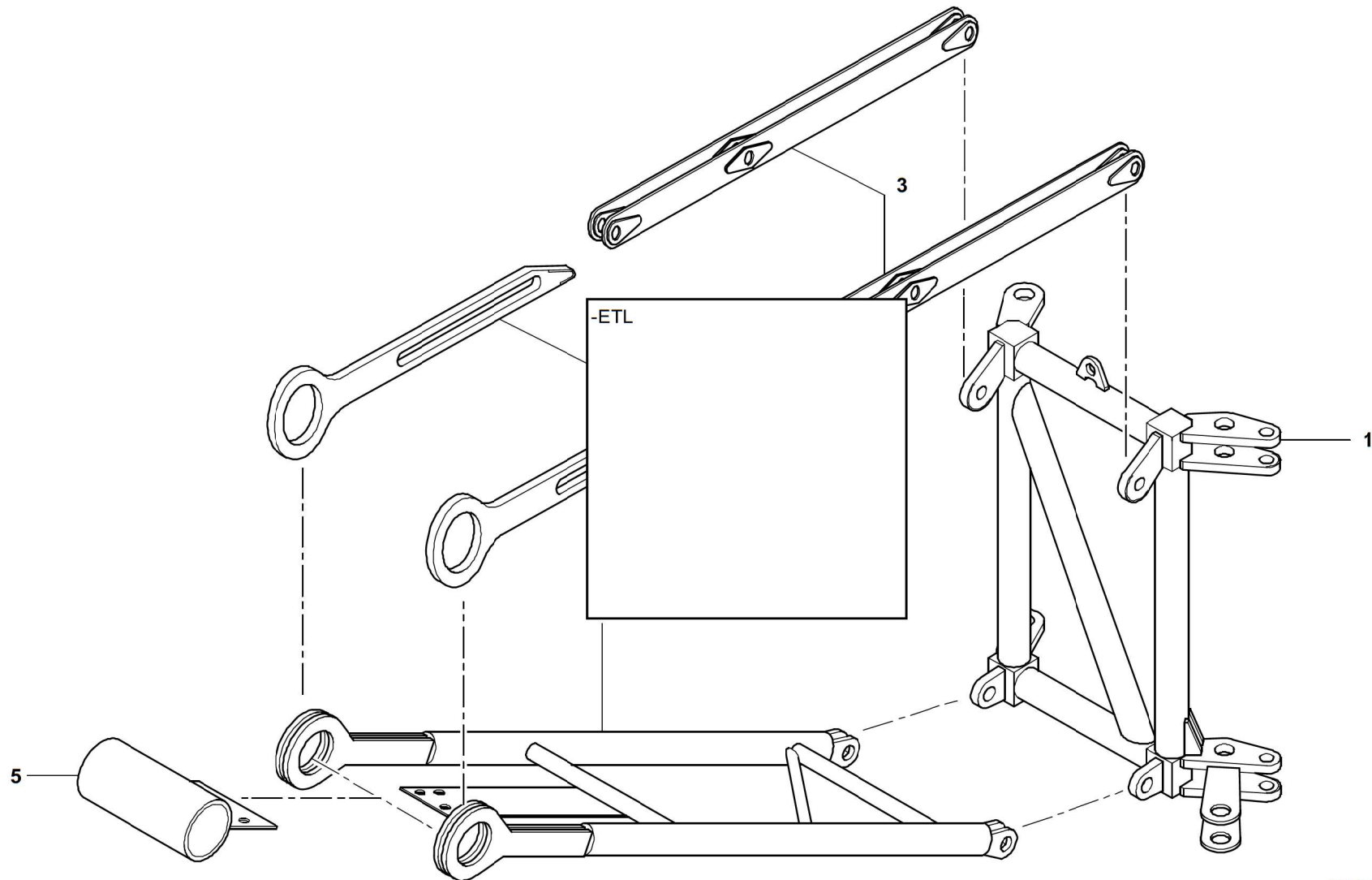
BILDТАFEL  
PICTORIAL DISPLAY

GMK 5220  
BE 710  
G 173

04.08

3145371-ETL #

1/1



3145371-0-BL01-0408-0000